

FOUR BURNER GAS RANGE WITH STORAGE BELOW

MODEL NO: PP90GR804S

SPECIFICATIONS

- Inner and Outer Body along with its Body parts made up of AISI SS 304.
- 3 sides fully covered.
- High Quality "ARC" Make 2 no's Low pressure Burners (9.5kW/each) & 2 nos. Low Pressure burners (7.5kW/each) along with pilot burner, SG Iron Vessel rest & full length S.S. Spillage Tray.
- Ergonomically designed heavy duty SG Iron Vessel rests
- Flexible corrugated SS gas connection pipe for long life & maintenance free Operations.
- Optional-Double Skin Door with imported hinges & Magnet catch.



INSTALLATION PREREQUISITES



Supply Gas Pressure – 0.05 bar

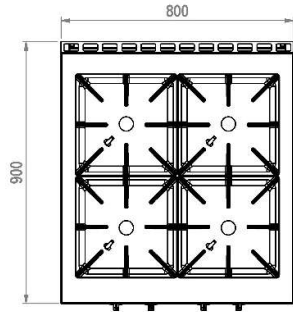
Technical data

Width :	800	Gas power kW:	34 kW
Depth :	900	Electric power kW:	
Height :	850		
Weight kg.:	75		

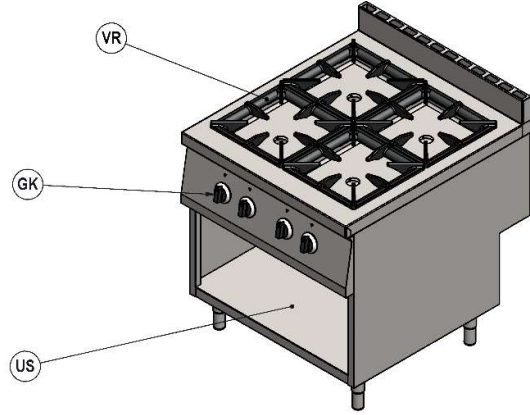
*All Dimensions are in mm.

FOUR BURNER GAS RANGE WITH STORAGE BELOW

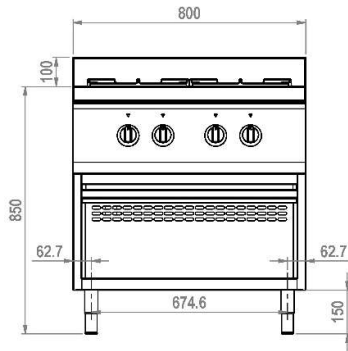
MODEL NO: PP90GR804S



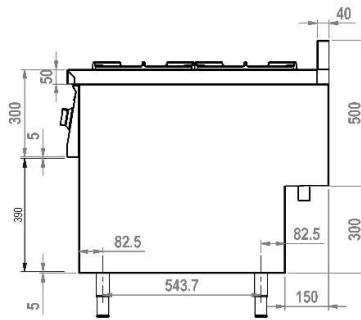
TOP VIEW



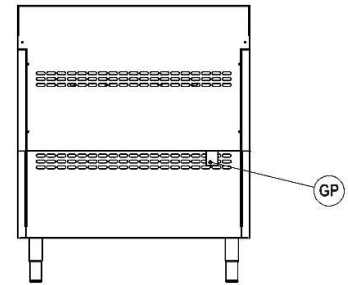
ISOMETRIC VIEW



FRONT VIEW



SIDE VIEW



REAR VIEW

Legend

VR:	Vessel Rest
GP:	Gas Point
GK:	Gas Knob
US:	Undershaft

*All Dimensions are in mm.