



# VEGETABLE PREPARATION MACHINE CA-31

Vegetable preparation machine. Production up to 450 kg.



DYNAMIC PREPARATION  
COMMERCIAL VEGETABLE PREPARATION MACHINES

## SALES DESCRIPTION

Single-speed motor block + regular hopper.

### A perfect cut

- ✓ High precision adjustments to obtain a uniform and excellent-quality cut.
- ✓ It can be fitted with a wide range of discs and grids of the highest cutting quality. Combining these accessories together to obtain more than 70 different types of cuts and grating grades.

### Built to last

- ✓ Made from stainless steel and food-grade materials of the highest quality: stainless steel motor block and food-grade aluminium head.
- ✓ High power asynchronous motor.

### Maximum comfort for the user

- ✓ Ergonomic design: product sliced in one single movement.
- ✓ Lateral product output: requires less space on the worktop and guides the product, avoiding splashes.
- ✓ The electronic command panel is very intuitive.

### Maintenance, safety, hygiene

- ✓ Lever and lid easily removable for cleaning purposes.
- ✓ Combination of safety systems: head, cover, power switch.
- ✓ Appliance certified by NSF International (regulations on hygiene, cleaning and materials suitable for contact with foods).
- ✓ 100% tested.

## INCLUDES

- ✓ Single-speed motor block.
- ✓ Regular hopper.

## OPTIONAL

- Tube head for long products.
- Discs and grids.
- Support-trolley.
- Grid cleaning kit.

## ACCESSORIES

- FCC curved slicing discs
- FCO rippled slicing discs
- FFC chipping grids
- FMC dicing grids
- FCE julienne discs
- FR shredding & grating discs
- Long vegetable attachment
- Disc and grid packs
- Disc and grid holder
- Stand-trolley
- Grid cleaning kit
- FC-D slicing discs
- SH shredding & grating discs
- Déli-cut cutting kit - Heavy Duty

## SPECIFICATIONS

Hourly production: 150 kg - 450 kg

Inlet opening: 136 cm<sup>2</sup>

Disc diameter: 205 mm

Motor speed: 365 rpm

### Loading

Single Phase: 550 W

Three phase: 550 W

Noise level (1m.): <70 dB(A)

Background noise: 32 dB(A)

### External dimensions (W x D x H)

Width: 389 mm

Depth: 405 mm

Height: 544 mm

Net weight: 21 kg

### Crated dimensions

435 x 430 x 600 mm

Volume Packed: 0.11 m<sup>3</sup>

## AVAILABLE MODELS

1050701 Vegetable preparation machine CA-31 230-400/50/3N

1050700 Vegetable preparation machine CA-31 230/50/1

1050702 Vegetable preparation machine CA-31 120/60/1

1050705 Vegetable preparation machine CA-31 220/60/1

1050707 Vegetable preparation machine CA-31 220-380/60/3N

1050712 Vegetable preparation machine CA-31 230/50/1 UK

\* Ask for special versions availability



product sheet  
updated 19/02/2024

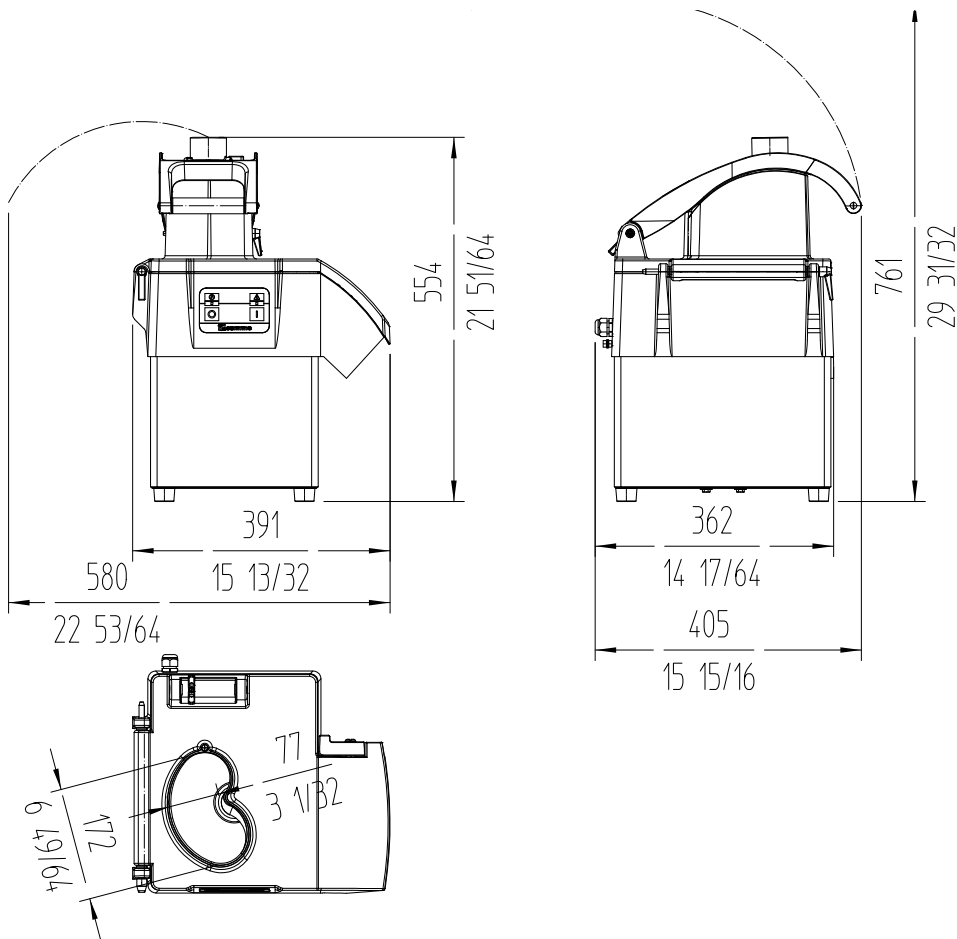


# VEGETABLE PREPARATION MACHINE CA-31

Vegetable preparation machine. Production up to 450 kg.



DYNAMIC PREPARATION  
COMMERCIAL VEGETABLE PREPARATION MACHINES



**sammic** | www.sammic.com  
Food Service Equipment Manufacturer

Polígono Basarte, 1. phone +34 943 15 72 36  
20720 Azkoitia, Spain sales@sammic.com



|          |      |
|----------|------|
| Project  | Date |
| Item     | Qty  |
| Approved |      |

product sheet  
updated 19/02/2024